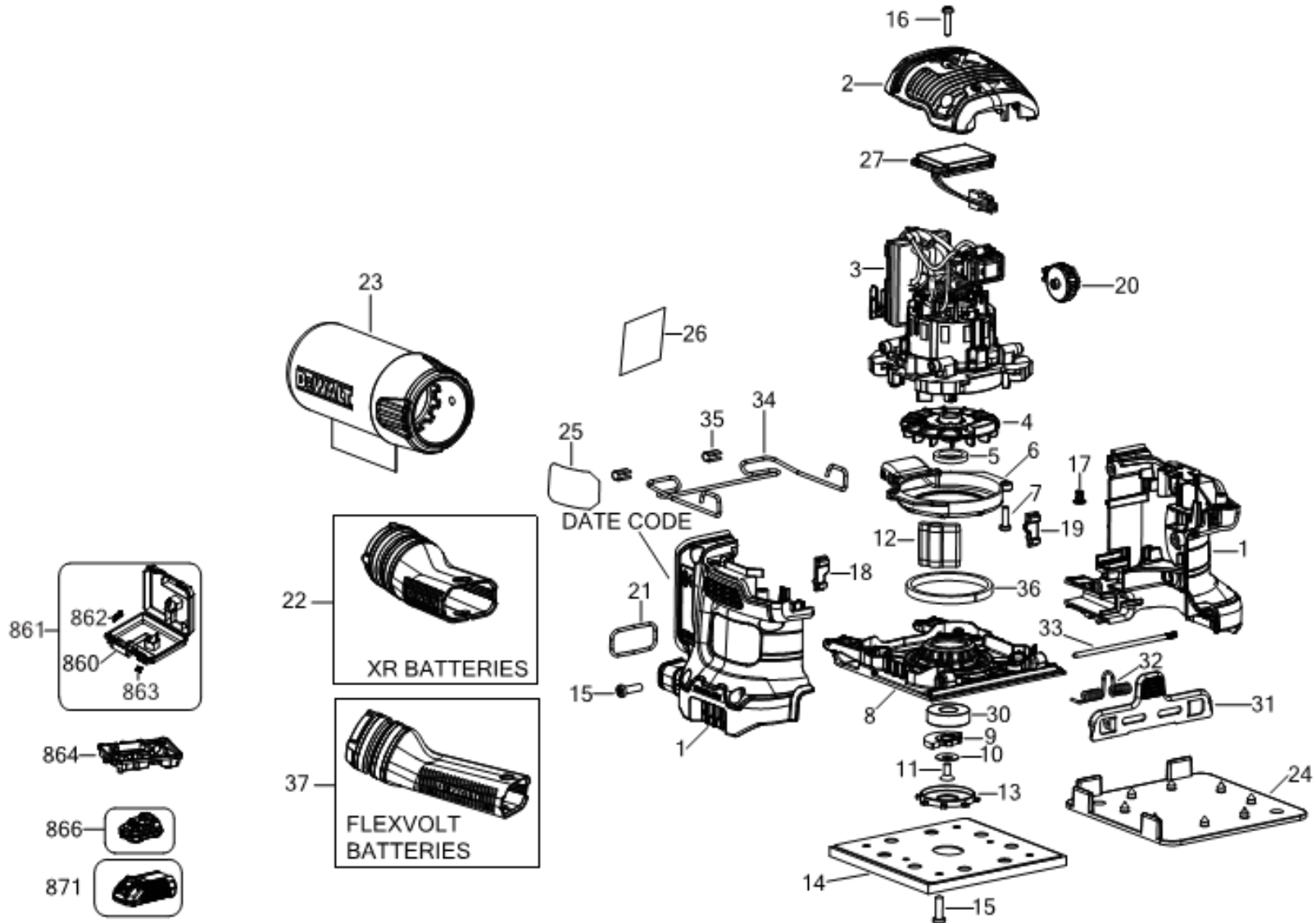




DCW200

TYP.  
1



©

## Parts List DCW200N 18V XR 1/4 SHEET SANDER - 1

Item	Part Number	Qty	Part Description	General Description	Other Info	Repair Inst	Markets
1	N697716	1	CLAMSHELL SET			No	XJ
2	N603948	1	HOUSING TOP			No	XJ
3	NA039901	1	MOTOR & SWITCH SA			No	XJ
4	N689070	1	FAN			No	XJ
5	N416160	1	SEAL			No	XJ
6	N596411	1	BAFFLE FAN			No	XJ
7	330019-02	2	SCREW			No	XJ
8	NA146881	1	PLATEN	SSA PLATEN 1/4 SHEET		No	XJ
9	N360702	1	COUNTERWEIGHT			No	XJ
10	N345099	1	WASHER			No	XJ
11	098012-11	1	SCREW			No	XJ
12	N472412	4	LEG			No	XJ
13	N402677	1	END CAP			No	XJ
14	N492998	1	PAD SA			No	XJ
15	330019-12	11	SCREW			No	XJ
16	330019-03	4	SCREW			No	XJ
17	N453948	1	SPRING			No	XJ
18	N239159	1	BUMPER			No	XJ
19	N239160	1	BUMPER			No	XJ
20	N581601	1	SPEED REGULATOR			No	XJ
21	N129171	1	O RING			No	XJ
22	N637726	1	DUST PORT			No	XJ
23	N273733	1	DUST BAG SA			No	XJ
24	144954-00	1	PUNCH			No	XJ
25	N684722	1	RATING PLATE			No	XJ
26	N684723	1	LABEL			No	XJ
27	N747818	1	MODULE			No	XJ
30	330003-64	1	BEARING			No	XJ
31	N464703	1	CLAMP			No	XJ
32	N360481	1	SPRING			No	XJ
33	N396569	1	PIN			No	XJ
34	N366359	1	CLAMP			No	XJ

## Parts List DCW200N 18V XR 1/4 SHEET SANDER - 1

Item	Part Number	Qty	Part Description	General Description	Other Info	Repair Inst	Markets
35	N369879	2	CLIP			No	XJ
36	N372479	1	SEAL			No	XJ
37	N684701	1	DUST PORT		flexvolt battery	No	XJ